

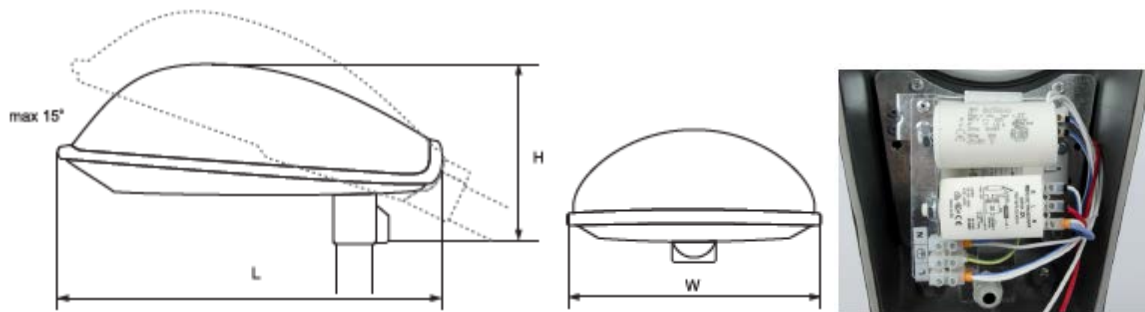
## TECHNICAL SPECIFICATION

### Road fixtures - NOVA mini



- Rated voltage: 230V / 50Hz
- Lamp operation mode: Control gear
- Control gear: Mounted in the body
- Light source type (not included in the commercial kit): High-pressure Sodium Lamp (HPSL)
- Lamp power: 70W
- Housing: Aluminum
- Housing colour: Dark grey
- Reflector: Aluminium
- Diffuser: Tempered glass
- Base: E27
- Size: L500 x H150 x W240mm
- Installation: max D50mm X L4m metal pole, outdoor applications
- Adjustable tube allowing regulation of the mounting direction
- Ambient temperature: -20°C ÷ +65°C
- Protection against dust and moisture: IP66
- Protection class: I
- Surface requirements: Class F

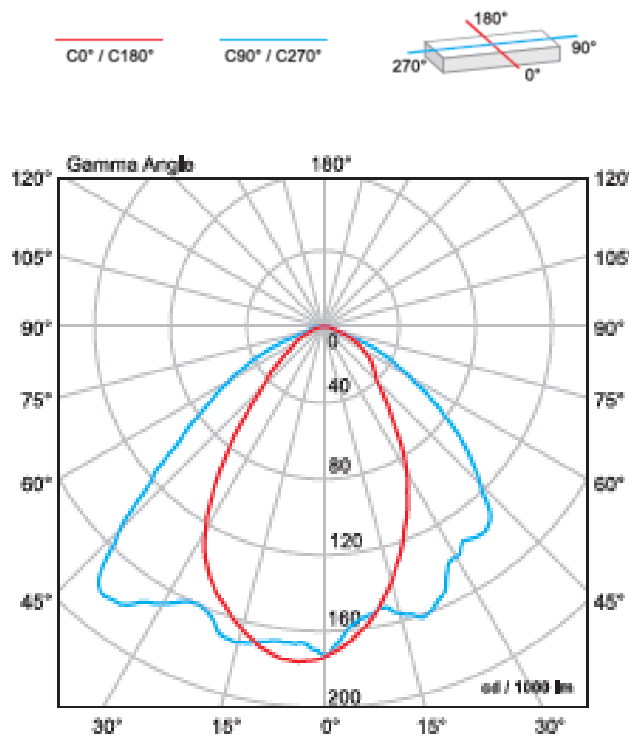
## Dimensions



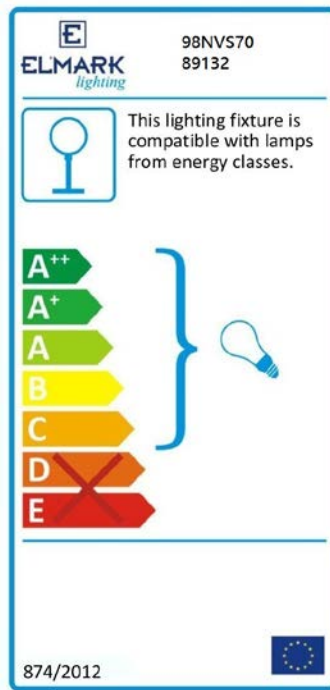
## Variants

Watt	Lamp	Current (A)	Colour body	Size (mm)			Control gear	Catalogue number	Packing (pcs)
				L	W	H			
70W	HPSL	1.00	dark grey	500	240	150	magnetic	98NVS70	1
			dark grey	500	240	150	empty fixture	89132	1

## Luminous distribution curves



## Energy efficiency



## Barcodes

Barcode	Catalogue number
3800131191175	98NVS70
3800131186201	89132

## Standards

EN 55015

EN 61000-3-2; EN 61000-3-3

EN 61000-4-2; EN 61000-4-4; EN 61000-4-5; EN 61000-4-8; EN 61000-4-11

EN 61547

EN 60598-1; EN 60598-2-3

